

*Innovation with a "difference"*

### Specification & Features:

- Available in Clutch Type Handles.
- 100% Leak Tight Design.
- Compact Design to Facilitate Installation.
- No Part in Contact with Fluid Except Disc & Liner.

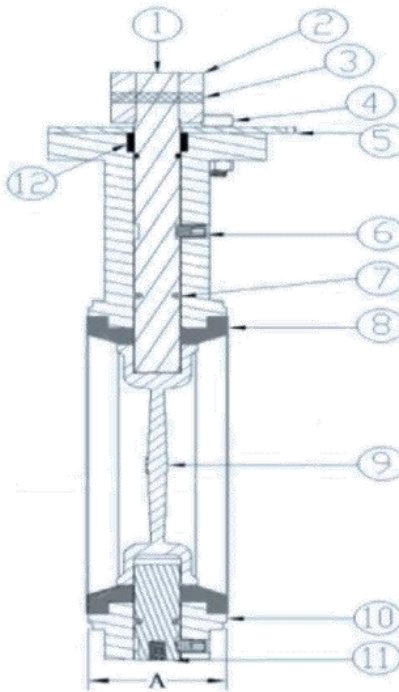
### Applications:

Paper & Pulp Industry, Waste & Effluent Treatment Plants, Water Treatment, Chemical & Sugar Industry, Fire Fighting, Drilling Rigs, Heating & Air Conditioning, Cooling Water Circulation, Compressed Air, Civil Constructions & numerous other applications.



### Materials of Construction:

SR. NO.	PART NAME	MATERIAL
1.	UPPER SPINDLE	13%Cr
2.	HANDLE	C.I.
3.	LOCK PIN	M.S.
4.	ALLEN BOLT	S.S.
5.	LOCK PLATE	M.S.
6.	GRUB SCREW	M.S.
7.	O- RING	NBR
8.	RUBBER LINER	EPDM/NITRILE/NEOPRENE
9.	DISC	SGI/CF-8/CF-8M/WCB
10.	BODY	C.I.
11.	LOWER SPINDLE	13%Cr
12.	BUSH	PTFE



PRESSURE CLASS	CLASS -125/150
HYDRO BODY TEST	1.5 Mpa
HYDRO SEAT TEST	1.1 Mpa
PNEUMATIC SEAT TEST	0.7 Mpa

### Sizes / Dimensions:

Inches	mm	A	B	C	D	E	F
1 ½"	40	33	57	94.5	65	170	14.5
2"	50	43	63	126.5	65	170	15
2 ½"	65	44	70	143.5	65	170	17
3"	80	46	96.5	148.5	65	195	16
4"	100	50	108	163	65	195	16
5"	125	54	121	190	90	320	16
6"	150	54	133	205	90	320	17
8"	200	58	166	236	90	320	20

